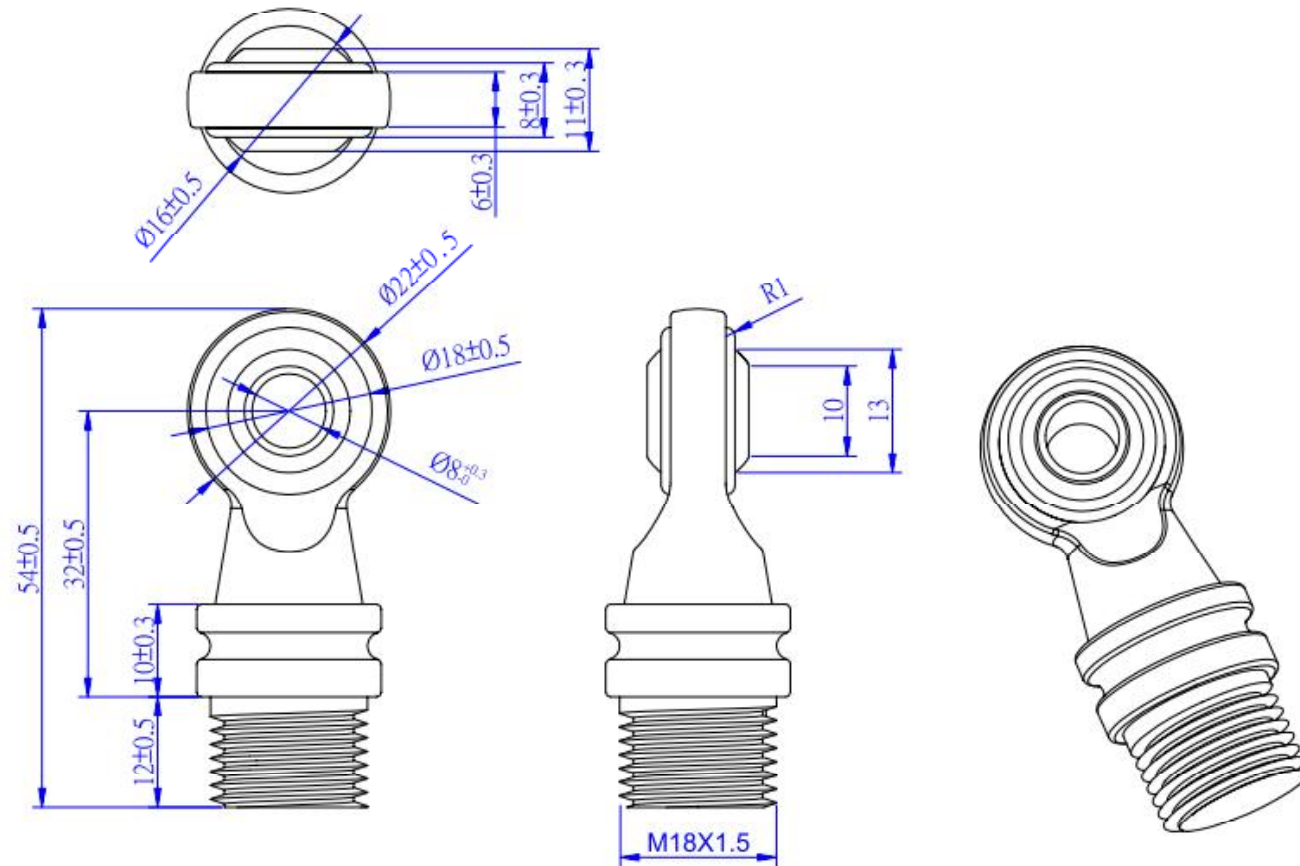


DSZY1-C3x - Kugelendkopf



Spec:

1. Round Angle: 0.5R
2. Swivel bearing should move flexible
3. Material: galvanized metal